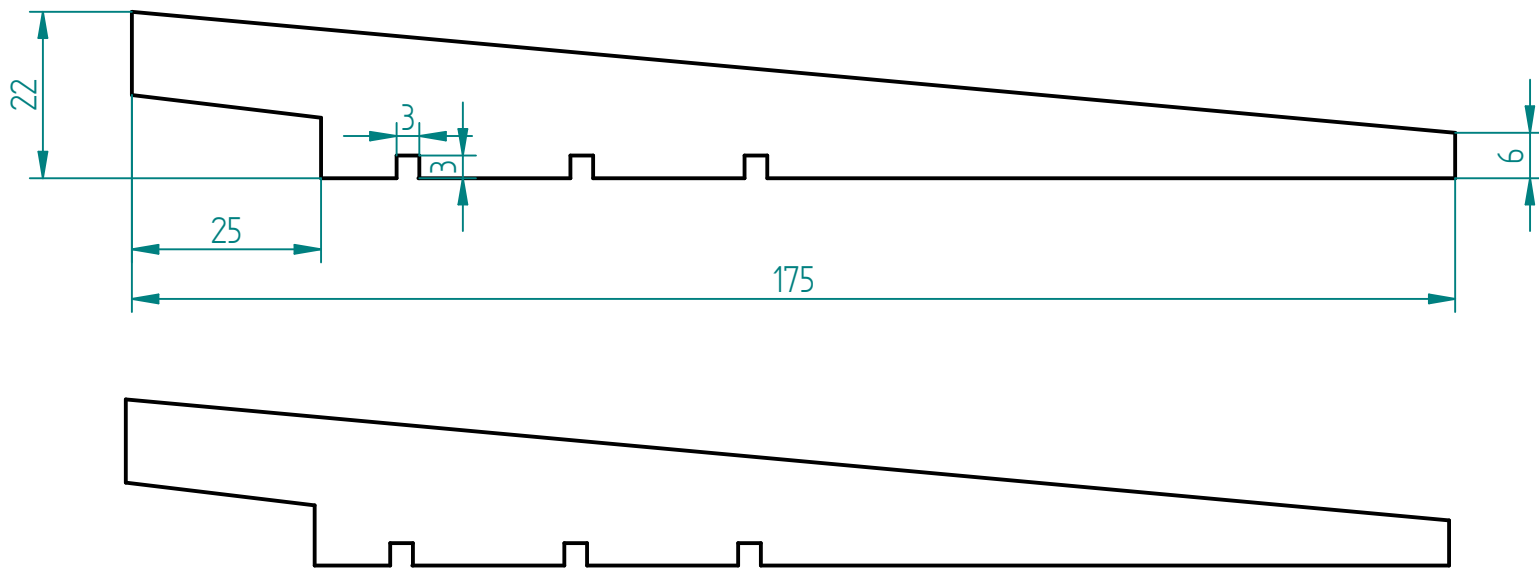



IWC14 Rebated Feather Edge With Relief Grooves

REVISION HISTORY			
REV	DESCRIPTION	DATE	APPROVED



	NAME	DATE			
DRAWN	A.Gribben	26/02/19			
CHECKED			TITLE		
ENG APPR					
MGR APPR					
UNLESS OTHERWISE SPECIFIED DIMENSIONS ARE IN MILLIMETERS ANGLES $\pm X.X^\circ$ 2 PL $\pm X.XX$ 3 PL $\pm X.XXX$			SIZE A4	DWG NO	REV
			SCALE:	WEIGHT:	SHEET 1 OF 1